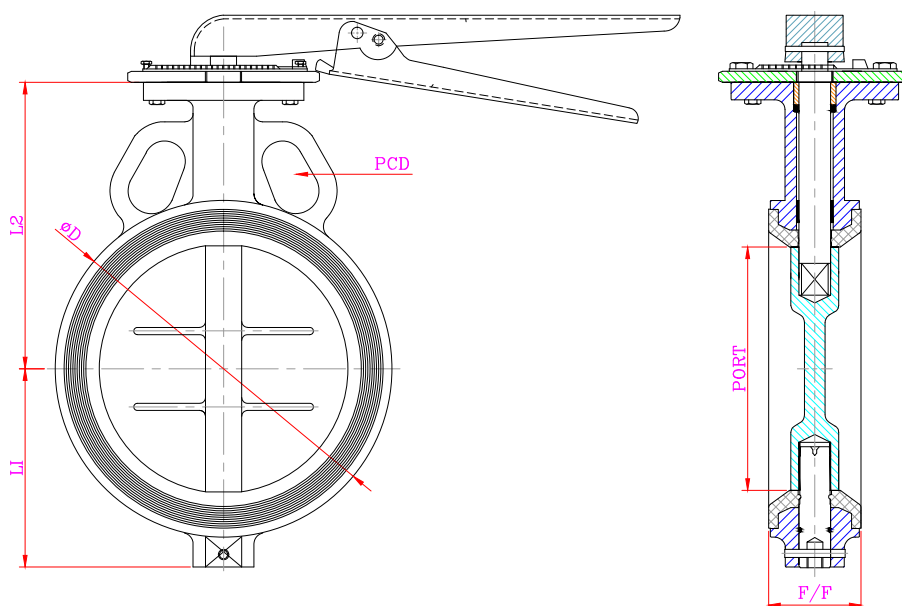


BUTTERFLY VALVE

LEVER/GEAR OPERATED



TECHNICAL SPECIFICATIONS :

SIZE RANGE :- 1 1/2" TO 48"

BODY	ASTM A 126 GRADE B (GRY IRON) ASTM A 216 GRADE WCB (CAST STEEL) ASTM A 536 GRADE 65-45-12 (DUCTILE IRON) ASTM A 351 GRADE CF8 / CF8M / CF3 / CF3M / CD4MCuN
DISC	ASTM A 126 GRADE B (GRY IRON) + POWDER COATED ASTM A 216 GRADE WCB (CAST STEEL) + POWDER COATED ASTM A 536 GRADE 65-45-12 (DUCTILE IRON) + POWDER COATED ASTM A 351 GRADE CF8 / CF8M / CF3 / CF3M / CD4MCuN S.G. IRON WITH TEFLON / POWDER / NYLON COATED & RUBBER LINED BODY
SEAT	NITRILE / EPDM / VITON / HYPELON / SILICON / NEOPREN
SHAFT	AISI 410 / AISI 304 / AISI 304L / AISI 316 / AISI 316L
VALVE TYPE	CENTRIC DISC BUTTERFLY VALVE WITH SINGLE PIECE RUBBER LINED BODY
BODY TYPE	SHORT WAFER TYPE
SEAT TYPE	INTEGRALLY MOULDED WITH THE BODY (RENEWABLE SEAT)
END CONNECTION	WAFER TYPE SUIT 150#, TABLE 'D', TABLE 'E' & IS 6392 TABLE 11 (PN 10 / PN 16)
PRESSURE RATING	PN 10 / PN 16 / PN 20 (ON REQUEST)
SEAT LEAKAGE	TIGHT SHUT OFF
OPERATION	LEVER OPERATED / GEAR OPERATED / CHAIN OPERATED / PNEUMATIC OPERATED

DESIGN STANDARDS :

- * **DESIGN & MFG.** :- API 609 CAT-A / IS 13095 / BS EN 593
- * **FACE TO FACE** :- SHORT WAFER AS PER ISO 5752 TAB 5 / API 609 CAT-A / ISO 5752 TAB 1 (BS 5155)
- * **TOP FLANGE DRILLING** :- ISO 5211
- * **INSPECTION & TESTING** :- API 598 / BS EN 12266-1
- * **FLANGE STANDARD** :- ASME B 16.5 / ASME B 16.47 CLASS 150. BS 10. TAB A. B. D. E & F CONFORMITY

DIMENSIONS :-

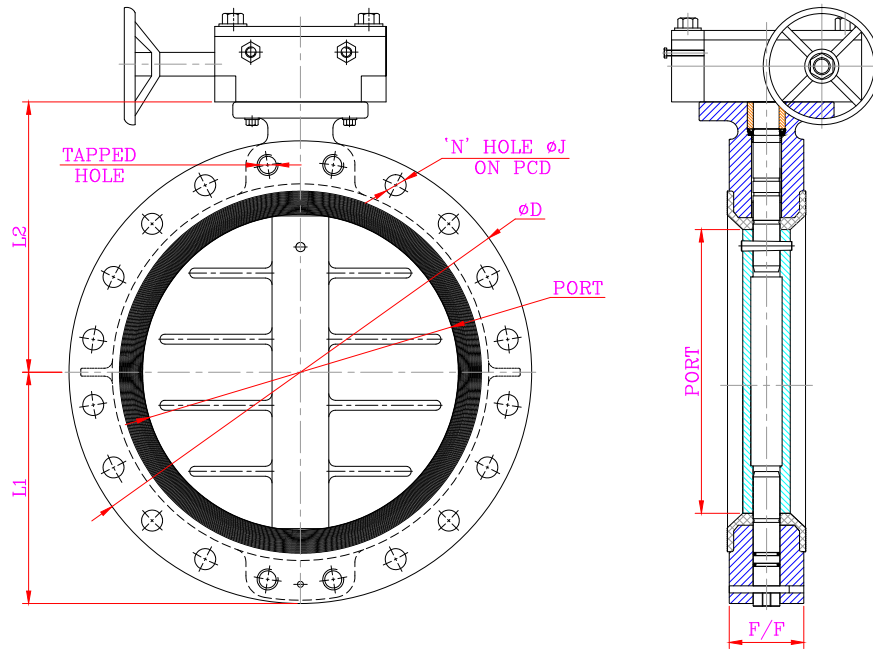
ALL THE DIMENSIONS ARE IN MM. UNLESS OTHERWISE STATED.

VALVE SIZE		PORT	L1	L2	FACE TO FACE F/F	(REEB) ØD	PCD	TAPPED HOLE
MM	Inch							
40	1. 1/2"	40	57	106	34	81.5	-	-
50	2"	50	64	117	44	95	-	-
65	2. 1/2"	65	73	128	46	108	-	-
80	3"	80	78	129.5	46	124	-	-
100	4"	100	99.5	150	52	150	-	-
125	5"	125	113	161	56	182	-	-
150	6"	150	123.5	177	56	207	-	-
200	8"	200	156	206	60	258.5	-	-
250	10"	241	220	266	68	315	-	-
300	12"	286	246	287	78	365	-	-
350	14"	333	270	304	78	443	-	-
400	16"	382	295	365	102	488	-	-
450	18"	433	331	382	114	562	577.9	1. 1/8" UNC
500	20"	476	371	420	127	600	635	1. 1/8" UNC
600	24"	590	444	488	154	695	749.3	1. 1/4" UNC
650	26"	635	463	497	165	757	806.4	1. 1/4" UNC
700	28"	680	497	532	165	811	863.6	1. 1/4" UNC
750	30"	725	534	580	190	881	914.4	1. 1/4" UNC
800	32"	785	569	618	190	933	977.9	1. 1/2" UNC
850	34"	810	615	645	190	989	1028.7	1. 1/2" UNC
900	36"	885	665	695	203	1039	1085.8	1. 1/2" UNC
950	38"	935	684	703	216	1105	1149.4	1. 1/2" UNC
1000	40"	965	723	732	216	1145	1200.2	1. 1/2" UNC
1100	44"	1145	797.5	797.5	254	1260	1314.4	1. 1/2" UNC
1200	48"	1170	841	851	254	1364	1422.4	1. 1/2" UNC



CENTER DISC

BUTTERFLY VALVE



LEVER/GEAR OPERATED

DOUBLE FLANGE TYPE

CENTER DISC

TECHNICAL SPECIFICATIONS :-

SIZE RANGE :- 3" TO 48"

BODY	ASTM A 126 GRADE B (GRY IRON) ASTM A 216 GRADE WCB (CAST STEEL) ASTM A 536 GRADE 65-45-12 (DUCTILE IRON) ASTM A 351 GRADE CF8 / CF8M / CF3 / CF3M / CD4MCuN
DISC	ASTM A 126 GRADE B (GRY IRON) + POWDER COATED ASTM A 216 GRADE WCB (CAST STEEL) + POWDER COATED ASTM A 536 GRADE 65-45-12 (DUCTILE IRON) + POWDER COATED ASTM A 351 GRADE CF8 / CF8M / CF3 / CF3M / CD4MCuN S.G. IRON WITH TEFLON / POWDER / NYLON COATED & RUBBER LINED BODY
SEAT	NITRILE / EPDM / VITON / HYPELON / SILICON / NEOPREN
SHAFT	AISI 410 / AISI 304 / AISI 304L / AISI 316 / AISI 316L
VALVE TYPE	CENTRIC DISC BUTTERFLY VALVE WITH SINGLE PIECE RUBBER LINED BODY
BODY TYPE	SHORT WAFER TYPE DOUBLE FLANGE
SEAT TYPE	INTEGRALLY MOULDED WITH THE BODY (RENEWABLE SEAT)
END CONNECTION	WAFER TYPE DOUBLE FLANGE SUIT 150#, TABLE 'D', TABLE 'E' & IS 6392 TABLE 11 (PN 10 / PN 16)
PRESSURE RATING	PN 10 / PN 16 / PN 20 (ON REQUEST)
SEAT LEAKAGE	TIGHT SHUT OFF
OPERATION	LEVER OPERATED / GEAR OPERATED / CHAIN OPERATED / PNEUMATIC OPERATED

DESIGN STANDARDS :-

- * **DESIGN & MFG.** :- API 609 CAT-A / IS 13095 / BS EN 593
- * **FACE TO FACE** :- SHORT WAFER AS PER ISO 5752 TAB 5 / API 609 CAT-A / ISO 5752 TAB 1 (BS 5155)
- * **TOP FLANGE DRILLING** :- ISO 5211
- * **INSPECTION & TESTING** :- API 598 / BS EN 12266-1
- * **FLANGE STANDARD** :- ASME B 16.5 / ASME B 16.47 CLASS 150. BS 10. TAB A, B, D, E & F CONFORMITY

DIMENSIONS :-

ALL THE DIMENSIONS ARE IN MM. UNLESS OTHERWISE STATED.

VALVE SIZE		PORT	L1	L2	FACE TO FACE F/F	ØD	N	ØJ	PCD	TAPPED HOLE
MM	Inch									
80	3"	80	95	129	46	190	4	19.05	152.4	-
100	4"	100	113	147	52	230	8	19.05	190.5	-
150	6"	150	136	177	56	280	8	22.2	241.3	-
200	8"	200	174	214	60	345	88	22.2	298.5	-
250	10"	241	201	265	68	405	12	25.4	362	-
300	12"	286	236	303	78	485	12	25.4	431.8	-
350	14"	333	248	345	78	535	12	28.6	476.3	-
400	16"	382	300	364	102	595	16	28.6	539.8	-
450	18"	433	322	381	114	635	16	31.75	577.9	1. 1/8" UNC
500	20"	476	354	436	127	700	20	31.75	635	1. 1/8" UNC
600	24"	590	405	515	154	815	20	34.9	749.3	1. 1/4" UNC
650	26"	635	435	490	165	870	24	34.9	806.4	1. 1/4" UNC
700	28"	680	462	543	165	925	28	34.9	863.6	1. 1/4" UNC
750	30"	725	482	576	190	985	28	34.9	914.4	1. 1/4" UNC
800	32"	785	533	618	190	1060	28	41.3	977.9	1. 1/2" UNC
900	36"	885	576	675	203	1170	32	41.3	1085.8	1. 1/2" UNC
1000	40"	965	640	720	216	1290	36	41.3	1200.2	1. 1/2" UNC
1200	48"	1170	750	865	254	1510	44	41.3	1422.4	1. 1/2" UNC

NOTE:-

1. VALVE FACE TO FACE (F / F) WILL BE AS PER WAFER TYPE
2. FLANGE THICKNESS NON-STD. AS PER MFG. STD. WAFER SHORT DOUBLE FLANGE BODY