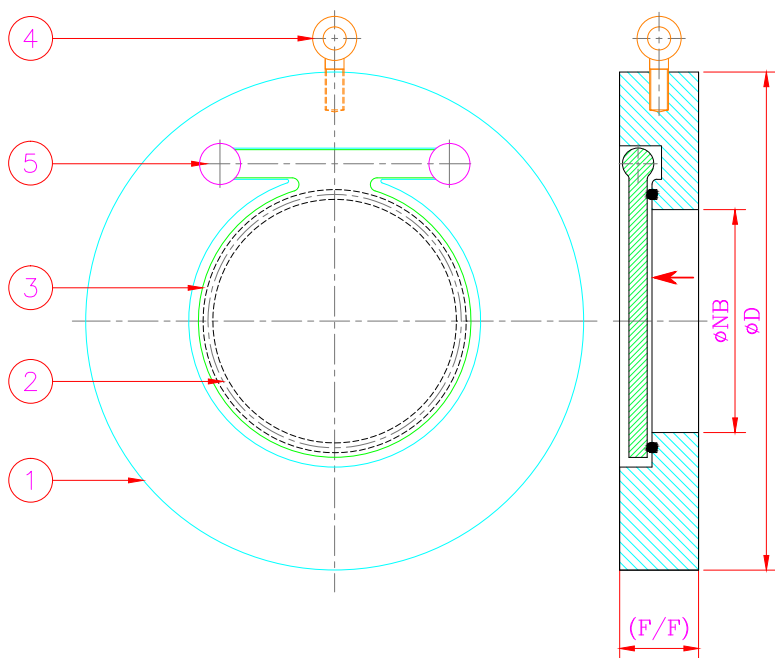
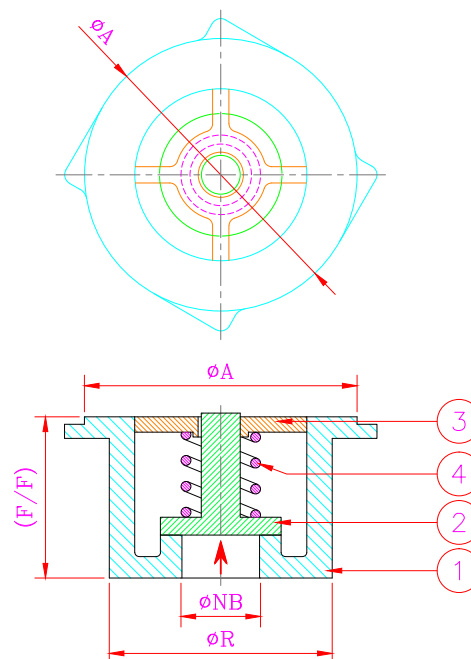


# WAFER CHECK VALVE



**SWING TYPE WAFER CHECK**



**NON SLAM WAFER CHECK**

## MATERIAL SPECIFICATION (SWING TYPE) :-

SR. NO.	PART NAME	MATERIAL	QTY.
1	BODY	WCB / SG IRON / LCB / WC6 / WC9/ C5 / C12 / CF8 / CF8M / CF3 / CF3M / CN7M	1 NO.
2	DISC	WCB / SG IRON / LCB / WC6 / WC9/ C5 / C12 / CF8 / CF8M / CF3 / CF3M / CN7M	1 NO.
3	SEAT RING	PTFE / VITON / EPDM / NITRILE / METAL SEATED	1 NO.
4	LIFTING BOLT	CARBON STEEL / STAINLESS STEEL	1 NO.
5	BUTTON	AISI 304 / AISI 304L / AISI 316 / AISI 316L / ALLOY-20	2 NO.

## MATERIAL SPECIFICATION (NON SLAM TYPE) :-

SR. NO.	PART NAME	MATERIAL	QTY.
1	BODY	CF8 / CF8M / CF3 / CF3M / CN7M	1 NO.
2	DISC	CF8 / CF8M / CF3 / CF3M / CN7M	1 NO.
3	STAR (YOKE)	CF8 / CF8M / CF3 / CF3M / CN7M	1 NO.
4	SPRING	AISI 316 / AISI 316L	1 NO.

## DIMENSIONS :-

VALVE SIZE		SWING TYPE						
NB	INCH	ASME B 16.10	$\phi B$	$\phi D$				
		F/F		PN 10	PN 16	BS-10 T/D	BS-10 T/E	ASA 150#
40	1.1/2"	19.0	22	93	93	86	86	86
50	2"	19.0	30	108	108	97	97	104
65	2.1/2"	19.0	40	128	128	110	110	123
80	3"	19.0	52	143	143	129	129	136
100	4"	19.0	71	163	163	161	161	174
125	5"	19.0	93	193	193	193	193	196
150	6"	19.0	114	219	219	218	215	221
200	8"	28.5	157	274	274	274	272	278
250	10"	28.5	195	329	329	335	335	339
300	12"	38.0	230	379	385	385	383	409
350	14"	44.5	270	438	444	446	446	449
400	16"	51.0	310	489	496	496	496	512
450	18"	60.5	360	538	555	559	559	545
500	20"	63.5	406	593	616	616	616	602
600	24"	70.0	490	695	733	727	727	714

ALL THE DIMENSIONS ARE IN MM. UNLESS OTHERWISE STATED.

VALVE SIZE		NON SLAM			
NB	INCH	PN 25 / PN 40			
		F/F	$\phi NB$	$\phi R$	$\phi A$
15	1/2"	17.0	15	36.0	42.0
20	3/4"	20.0	19	45.0	52.0
25	1"	23.0	25	55.0	63.0
40	1.1/2"	32.0	40	77.0	85.0
50	2"	40.0	50	92.0	95.0
65	2.1/2"	46.0	65	105.0	115.0
80	3"	50.0	80	126.0	133.0
100	4"	60.0	100	154.0	154.0
125	5"	85.0	125	186.0	186.0
150	6"	105.0	150	216.0	222.0
200	8"	140.0	200	270.0	275.0

NOTE:- METAL TO METAL SEATED WITH ZERO LEAKAGE

CHECK VALVE